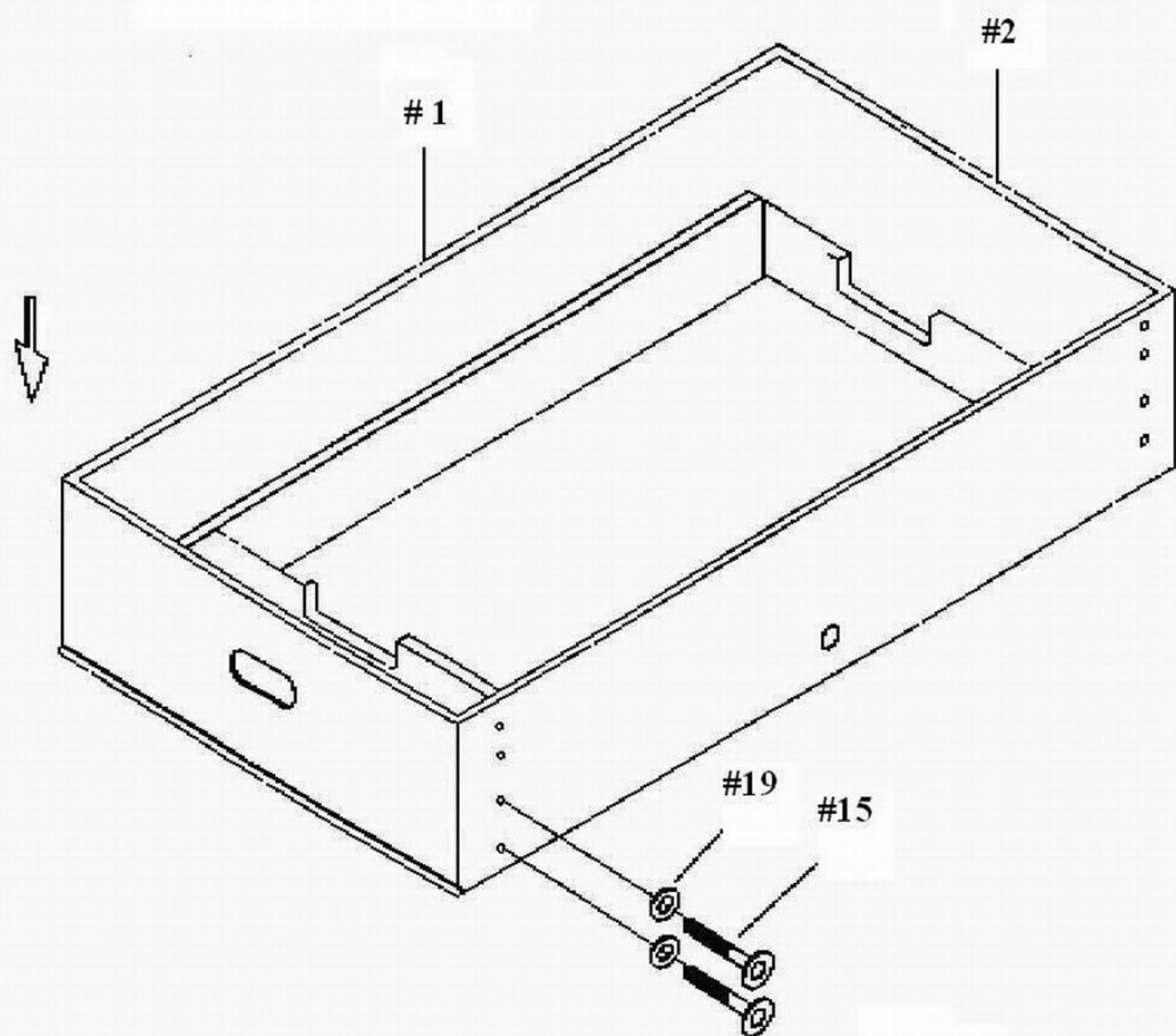
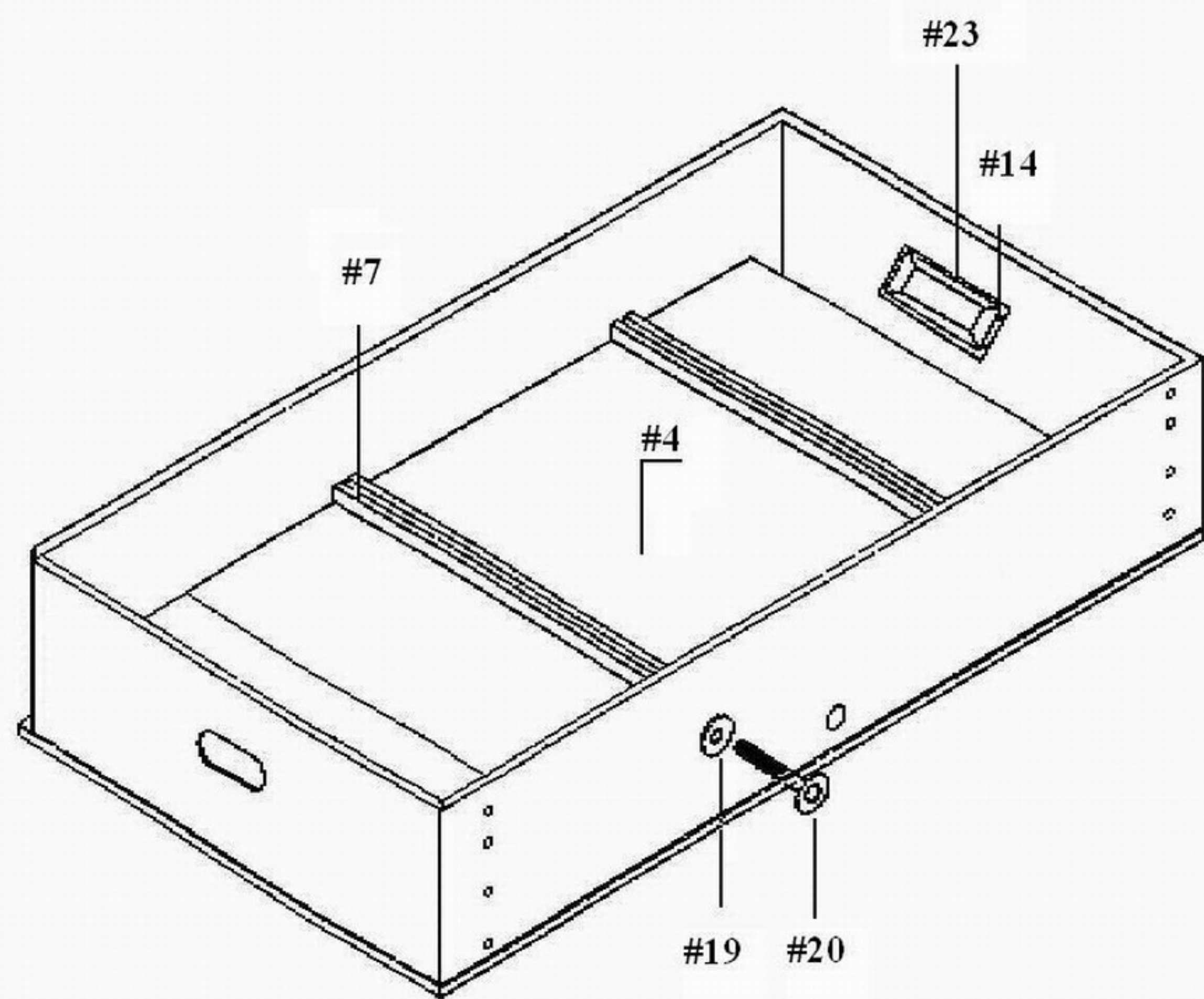


S015

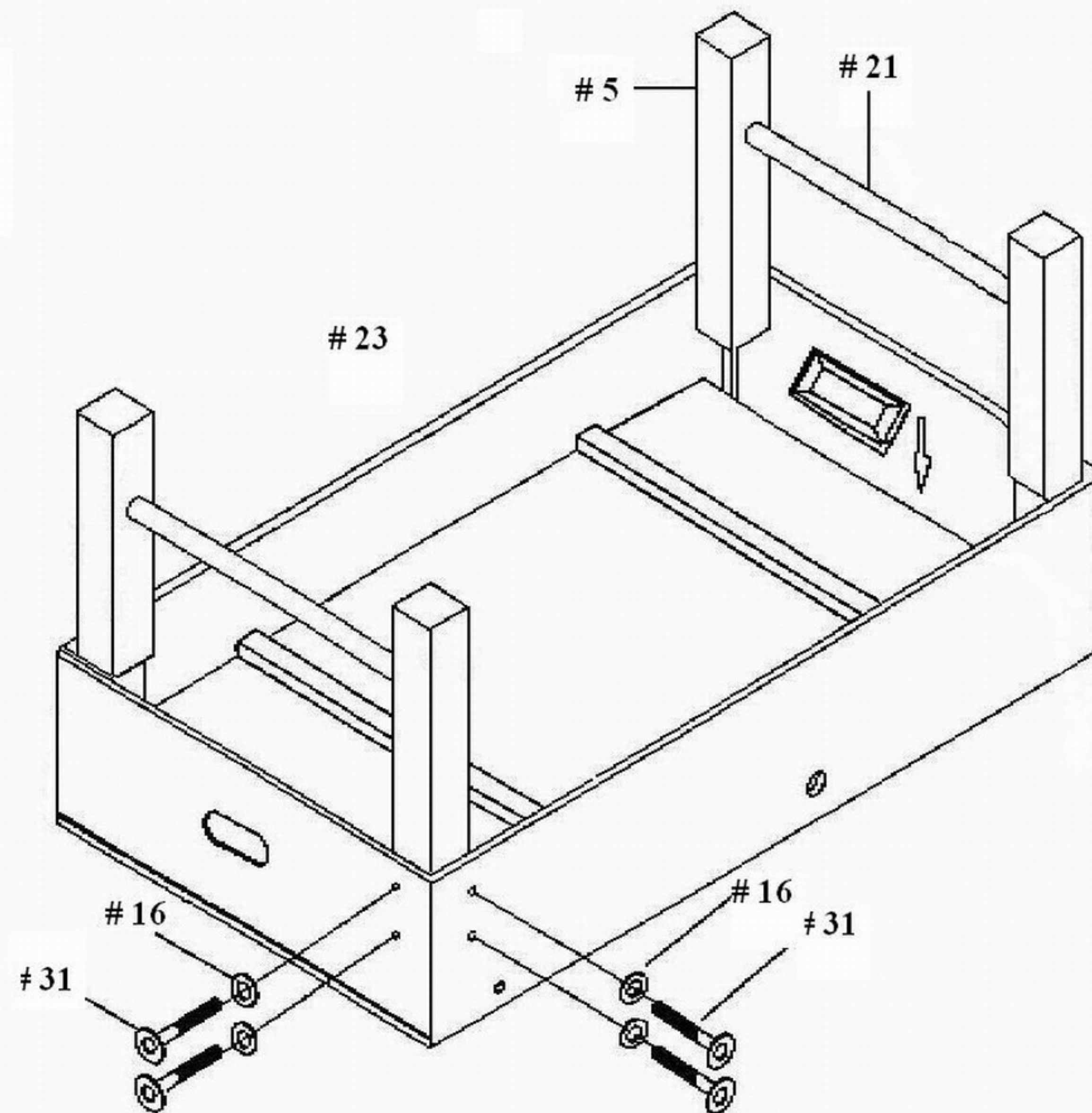
Step 1



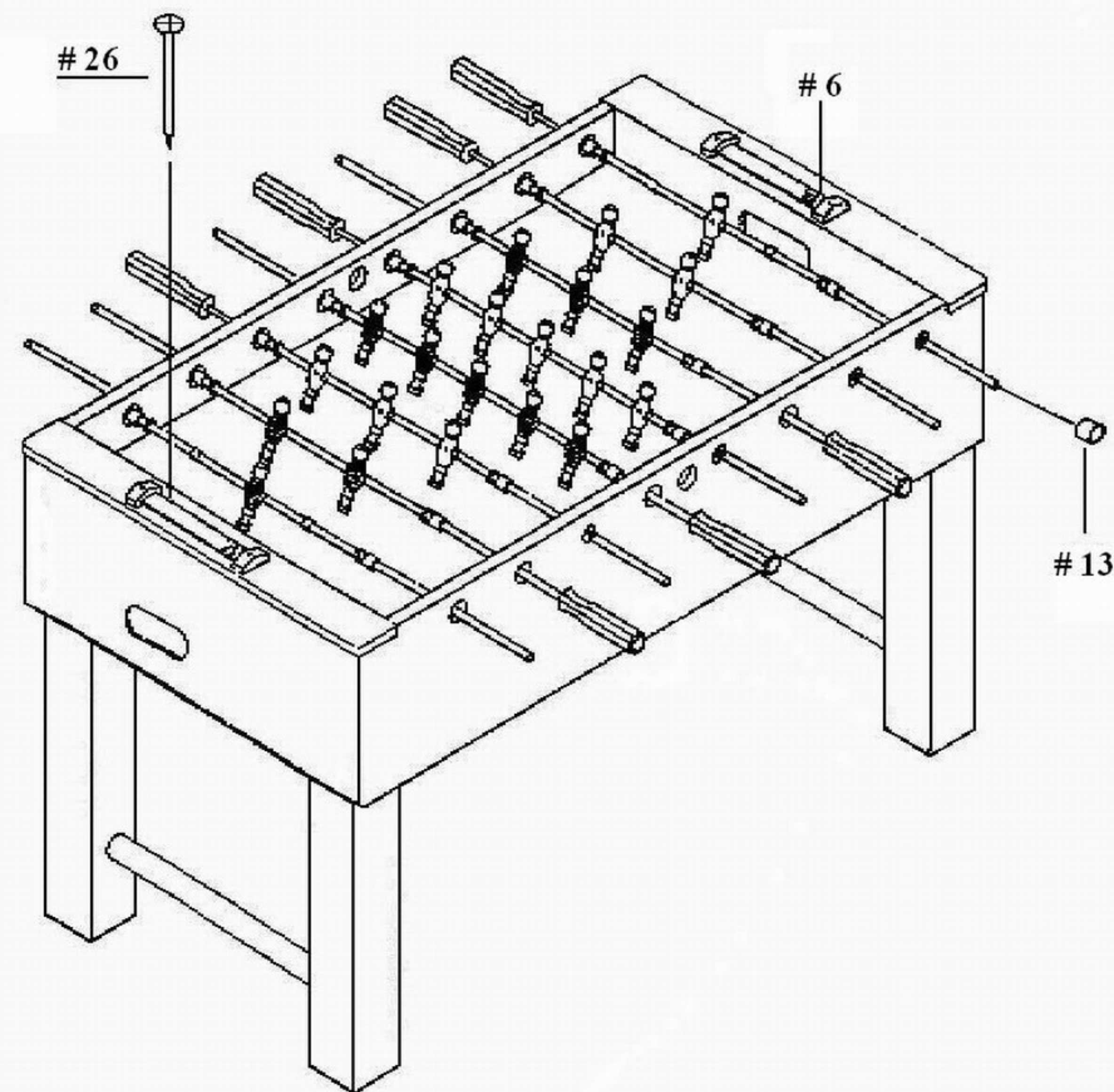
Step 2



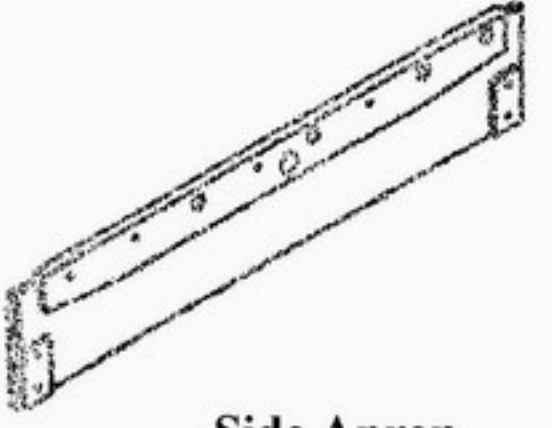
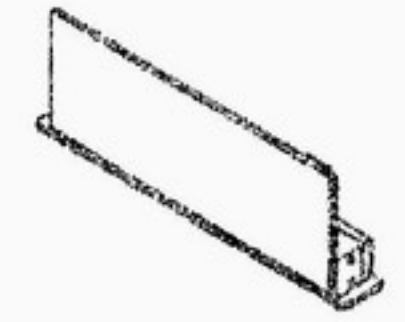

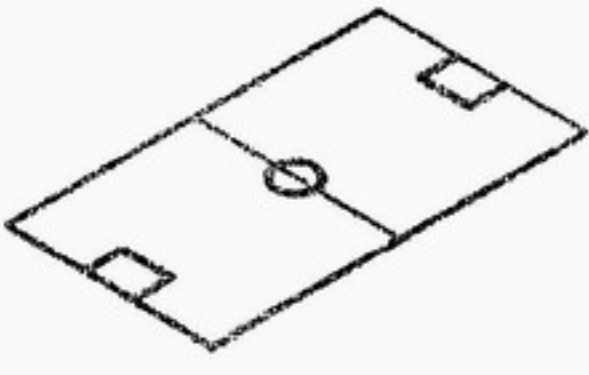
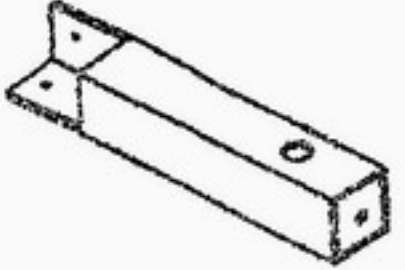
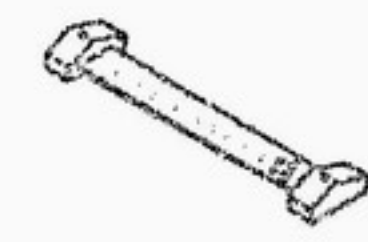

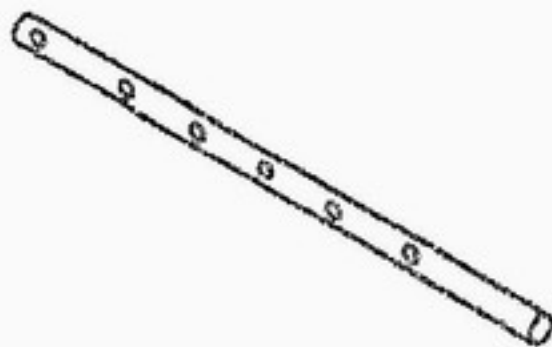

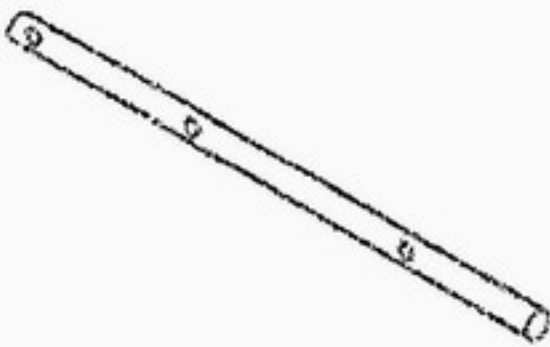
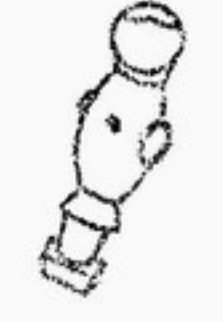






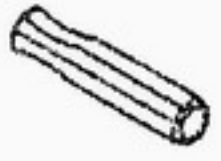


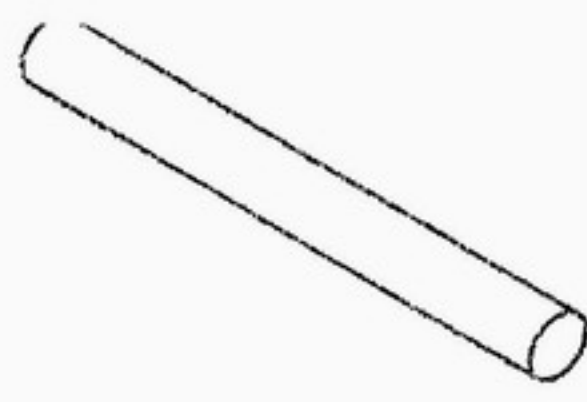

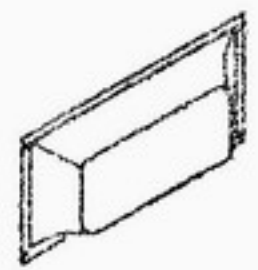

Step 3








Step 4



PARTS LIST

<p># 1</p>  <p>Side Apron 2 PCS</p>	<p># 2</p>  <p>End Apron 2 PCS</p>	<p># 3</p>  <p>Plastic rod stopper 4 PCS</p>	<p># 4</p>  <p>Playing Field 1 PCS</p>
<p># 5</p>  <p>Leg 4 PCS</p> <p>Top Slat Board 2 PCS</p>	<p># 6</p>  <p>Soccers 2 PCS</p>	<p># 7</p>  <p>Field Support 2 PCS</p>	<p># 8</p>  <p>5- Man Rod 2 PCS</p>
<p># 9</p>  <p>3 & 1- Man Rod 4 PCS each</p>	<p># 10</p>  <p>2 -Man Rod 2 PCS</p>	<p># 11</p>  <p>Blue Player 11 PCS</p>	<p># 12</p>  <p>White Player 11 PCS</p>
<p># 13</p>  <p>Rod Cap 8 PCS</p>	<p># 14</p>  <p>Screw F4*15 MM 8 PCS</p>	<p># 15</p>  <p>Bolt 4/1\"</p>	<p># 16</p>  <p>Washer 5/16\"</p>
<p># 17</p>  <p>Allen Wrench 1 PCS</p>	<p># 18</p>  <p>Rod Handle 8 PCS</p>	<p># 19</p>  <p>Washer 1/4\"</p>	<p># 20</p>  <p>Bolt 1/4\"</p>
<p># 21</p>  <p>Metal Vanity Bar 2\"</p>	<p># 22</p>  <p>Soccer Ball 2 PCS</p>	<p># 23</p>  <p>Ball Return 2 PCS</p>	<p># 24</p>  <p>Bolt 5/16\"</p>

<p># 25</p>  <p>Bumper 5/8\"</p>	<p># 26</p>  <p>Screw F4*1-1\"</p>	<p># 27</p>	<p># 28</p>
<p># 29</p>  <p>Screw F4*12MM 12 PCS</p>	<p># 30</p>  <p>Plastic Washer 5/8\"</p>	<p># 31</p>  <p>Bolt 5/16\"</p>	<p># 32</p>